

Proform Hinges and Adjustment Directions



H107

Used with most standard carcasses



H170

Used with corner bifold with BIFO hinges also used with MDC33



BIFO

(Fixing Lugs to be knocked in with hammer)



Hinge Plate (Fixed to carcase)

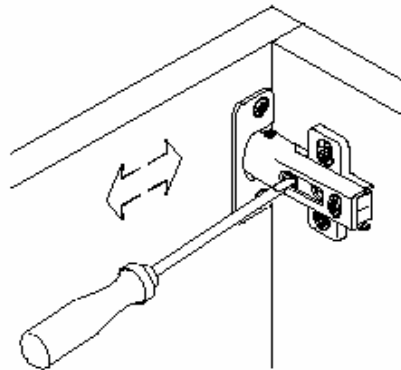
NB: BIFO hinge has its own plate.



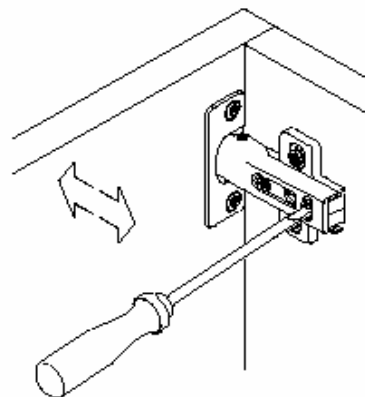
H45

Used with corner pantry, MDC45, MWC45, MWNC45 & MWHC45.

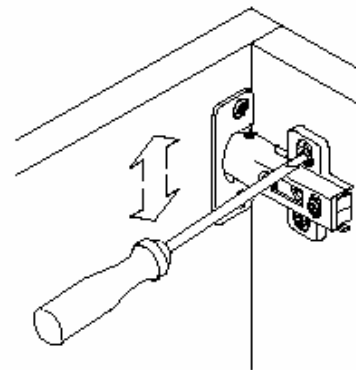
The H107 & H170 hinges have 3way adjustment ability.



Lateral adjustment
by adjusting screw



Depth adjustment
after loosening the hinge
arm mounting screw



Vertical adjustment
via mounting plate (via slots
or, if in two pieces, via screw)

Hinge lugs in normal
position for pushing
into door borings.



Using a screwdriver,
and while the hinge
is in the door, turn
screws clockwise to
expand lugs and fix
hinge to door.



Proform is constantly seeking ways to improve specifications, design and production of its products and alterations take place occasionally. Whilst every effort is made to produce up to date literature, this instruction sheet should not be regarded as an infallible guide to specifications, we recommend that the prospective purchaser ensures that our catalogue identifies the product displayed or described herein.