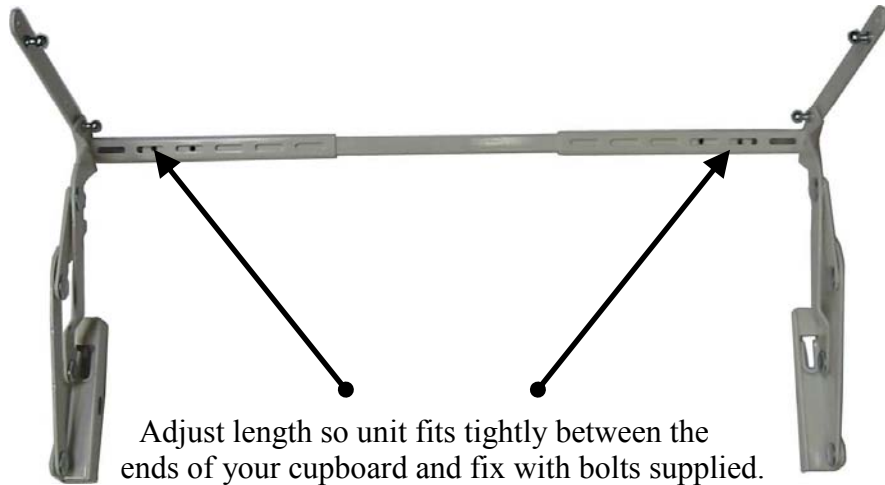
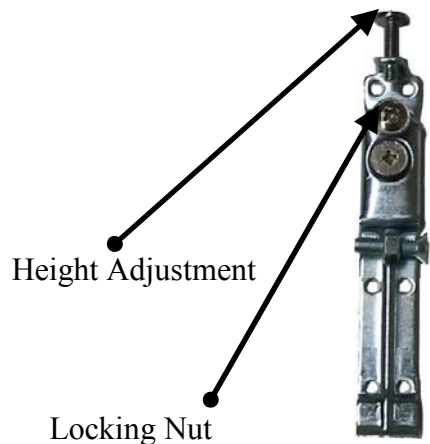


VERLADJ INSTALLATION

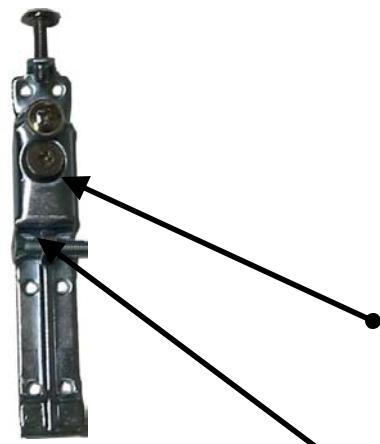
Maximum front flap weight = 5kg



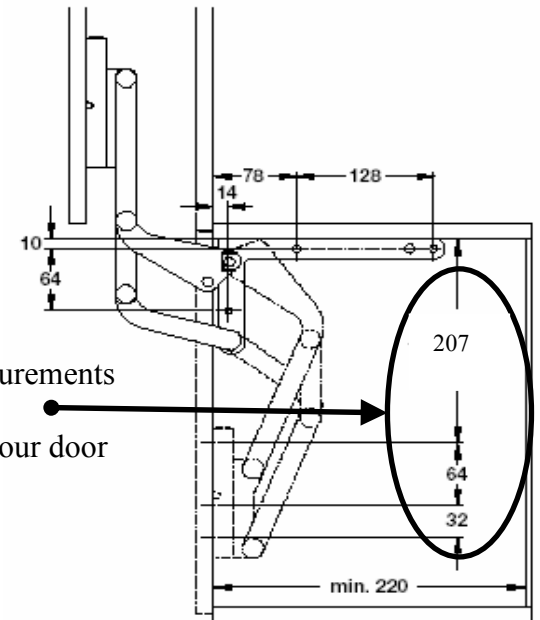
Fix mounting brackets to the back of your door, 40mm in from either side to the centre of each bracket. Slide door with brackets fixed, onto the arms and using the screws in the next diagram, adjust door so it is even.



Left Hand



Right Hand



Use these measurements to fix brackets to the back of your door



ABN : 16 108 210 902

Proform is constantly seeking ways to improve specifications, design and production of its products and alterations take place occasionally. Whilst every effort is made to produce up to date literature, this instruction sheet should not be regarded as an infallible guide to specifications, we recommend that the prospective purchaser ensures that our catalogue identifies the product displayed or described herein.

Proform Products Pty Ltd Tel:(08)9209 6200 Fax:(08)9209 6222 Website: www.proform.com.au