



Made in Germany

Original RIEPE® release and cleaning agents for spraying units

Distributor

Special fabric buffing wheels for your edge processing

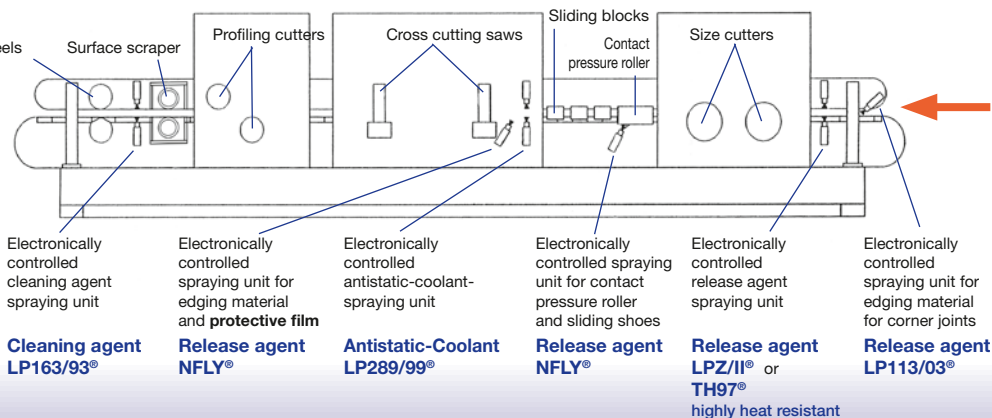


- Fabric-Sisal-Lamellar wheels 3:1 ratio
- Fabric buffing wheels

Available sizes:

Outer diameter:	160 mm	190 mm
Width:	25 mm	20 mm
Boreholes:	40/50 mm	40/50 mm
(special sizes on request)		

Arrangement of the RIEPE spraying units on the edge-banding machine



RELEASE AGENT LPZ/II®

Range of application: machine infeed Container: 30 litres / 200 litres

Application of the special agent to the upper and lower surface prevents emerging glue residue from adhering to the work piece.

CLEANING AGENT LP163/93®

Range of application: before buffing wheels Container: 30 litres / 200 litres

By the application of the cleaning agent in front of the buffing wheels, the previously applied release agent will be removed, together with any excess glue residue. The edge and the glue joint are also cooled. The edging material radius is polished to regain its sheen and match the colour of the surface. Result: An absolutely clean edge.

ANTISTATIC-COOLANT LP289/99®

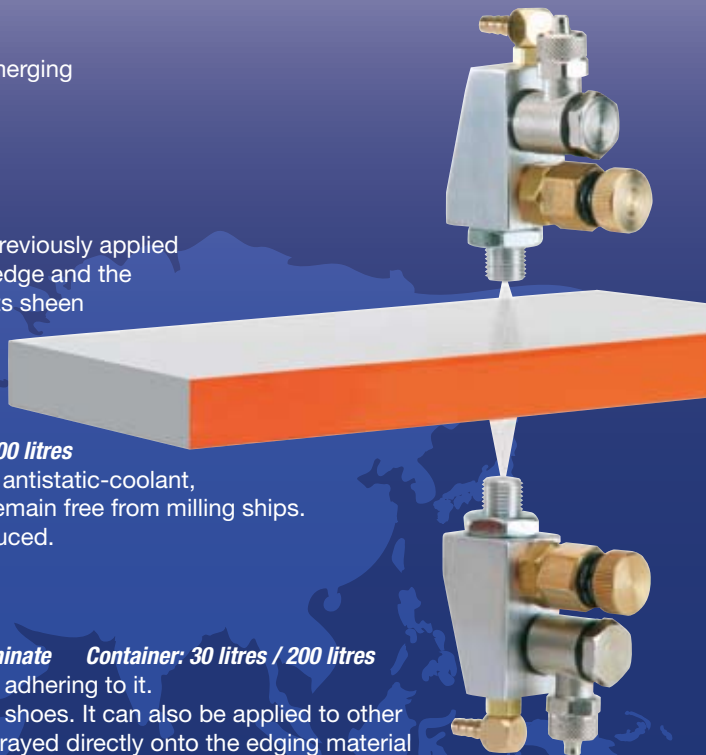
Range of application: following the edge, band application Container: 30 litres / 200 litres

The edge banding material is statically discharged by the application of the antistatic-coolant, and the glue joint cooled at the same time. Tracer rollers and work pieces remain free from milling ships. The glue cures more quickly. Glue build-up on the tools is considerably reduced.

RELEASE AGENT NFLY®

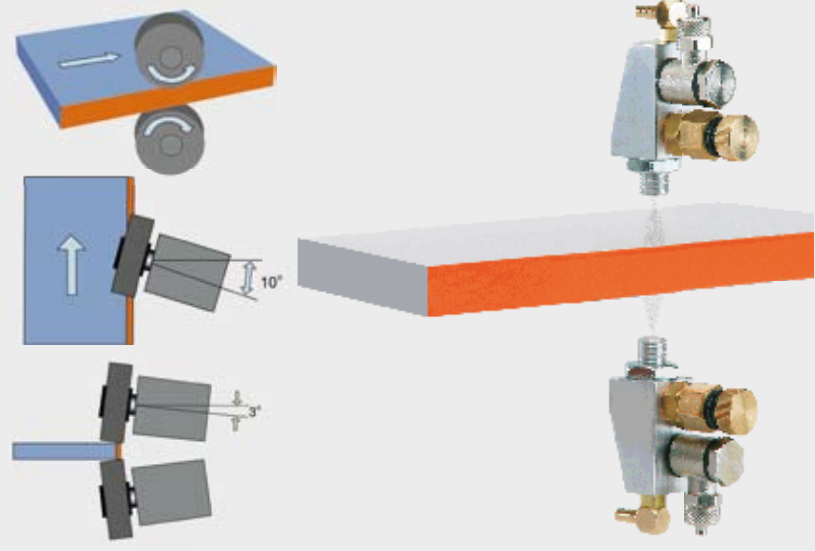
Range of application: pressure roller, sliding shoes, tools, edging, protective film, laminate Container: 30 litres / 200 litres

Application of this release agent onto the pressure roller prevents glue from adhering to it. The release agent is then transferred to the edging and carried to the sliding shoes. It can also be applied to other tooling to prevent glue residue adhering. The NFLY release agent can be sprayed directly onto the edging material to avoid damage to the material surface (Acrylic/Aluminium). In addition, it will also prevent any damage to the protective film on the edging material. Lubricant for laminate which prevents damage to the surface.



More RIEPE® quality-products on request

The spraying units will only operate maintenance free and ensure the success of your production if these original fluids are used. This is underlined by our experiences. Consumption per fine nozzle: less than 1 litre for 5,000 running meters. Lacquers can be used without problem on surfaces treated with our products. (waterbased paints on enquiry)



RIEPE[®]
www.riepe.eu

